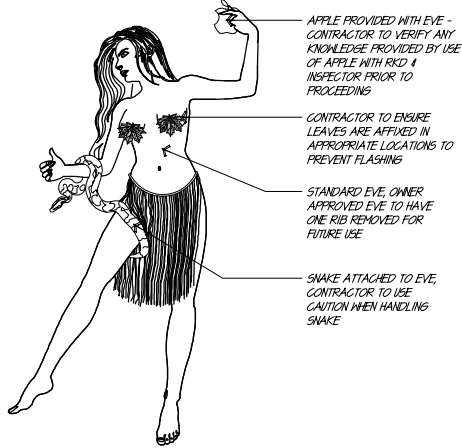


CAUTION: REMOVE FINGERS PRIOR TO COMPLETE INSTALLATION OF NAIL

**NAIL INSTALLATION**

NTS. 17

NTS. 13

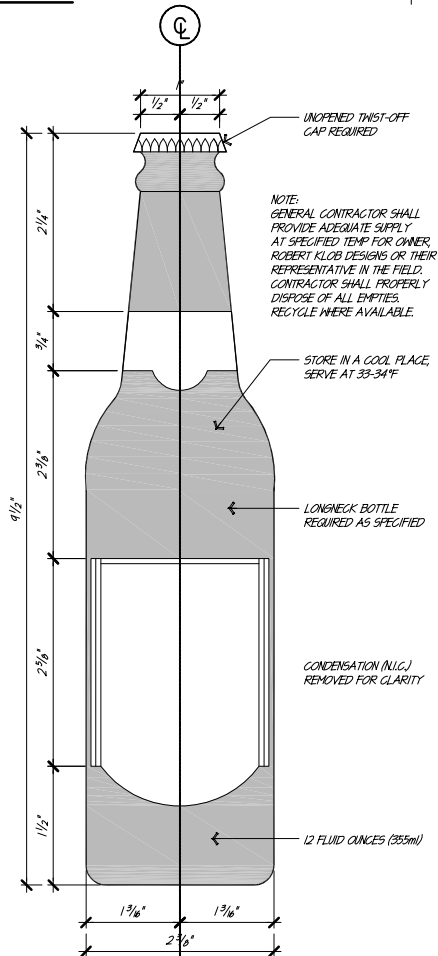


**STANDARD EYE DETAIL**

NTS. 18

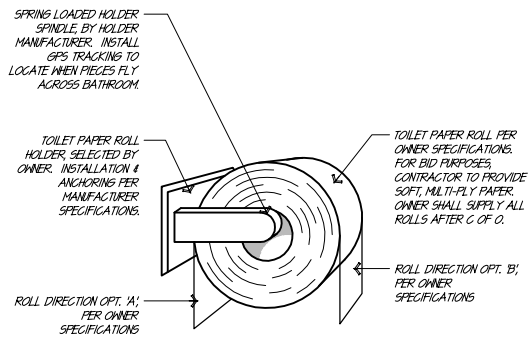
**RAILING @ EDGE - INTERIOR**

NTS. 14



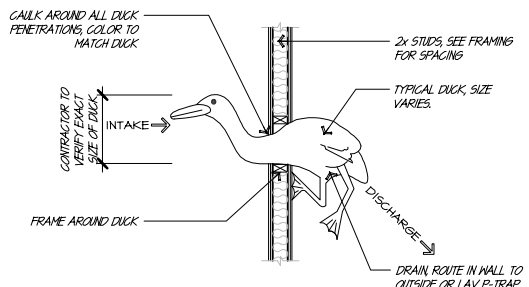
**BEER REQUIREMENTS**

NTS. 20



**T.P. ROLL INSTALLATION**

NTS. 15



**TYP. DUCK PENETRATION**

NTS. 16